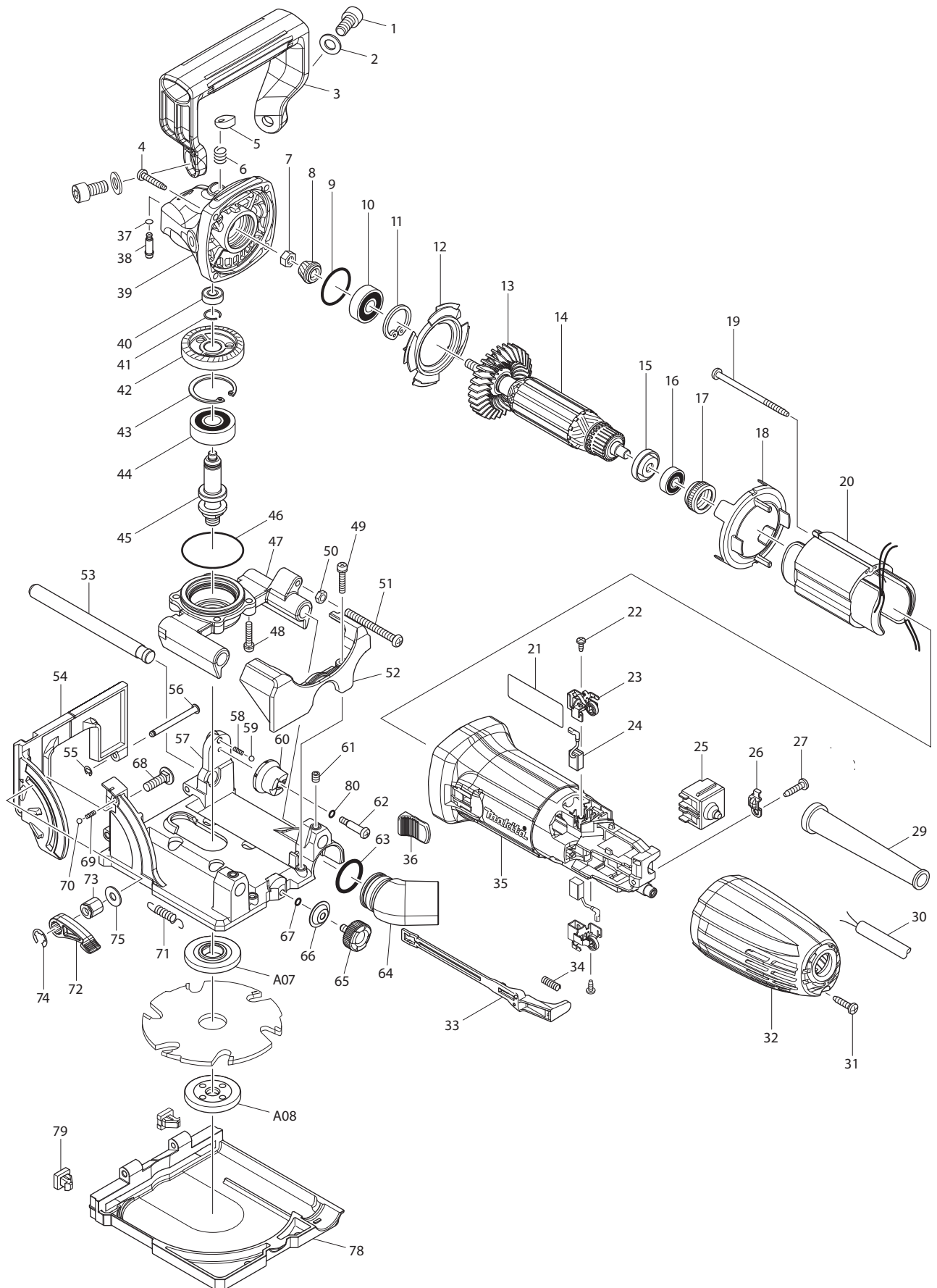




11 - 2011
PJ7000
BISCUIT JOINER



PARTS LIST

| Item No | Type | Part No | Description | Qty | Unit |
|---------|------|----------|-----------------------------|-----|------|
| 001 | | 922422-3 | HEX. SOCKET HEAD BOLT M8X16 | 2 | PC. |
| 002 | | 941202-8 | FLAT WASHER 8 | 2 | PC. |
| 003 | | 453218-6 | GRIP | 1 | PC. |
| 004 | | 266324-6 | TAPPING SCREW 4X22 | 4 | PC. |
| 005 | | 417771-6 | PIN CAP | 1 | PC. |
| 006 | | 234057-1 | COMPRESSION SPRING 8 | 1 | PC. |
| 007 | | 252186-8 | HEX. NUT M6 | 1 | PC. |
| 008 | | 227545-5 | * SPIRAL BEVEL GEAR 10 | 1 | PC. |
| 009 | | 213445-5 | O-RING 26 | 1 | PC. |
| 010 | | 211092-6 | BALL BEARING 629DDW | 1 | PC. |
| 011 | | 962105-3 | RETAINING RING R-26 | 1 | PC. |
| 012 | | 413126-3 | GUIDE PLATE | 1 | PC. |
| 013 | 1 | 240107-2 | FAN 56 | 1 | PC. |
| 013 | 2 | 240139-9 | FAN 56 | 1 | PC. |
| 014 | | 517646-0 | ARMATURE ASS'Y 115V | 1 | PC. |
| 014 | INC. | | Item No. 13,15,16 | | |
| 015 | | 681636-0 | INSULATION WASHER | 1 | PC. |
| 016 | | 210034-7 | BALL BEARING 607LLB | 1 | PC. |
| 017 | | 421868-5 | LABYRINTH RUBBER RING 19 | 1 | PC. |
| 018 | | 450796-7 | BAFFLE PLATE | 1 | PC. |
| 019 | | 266325-4 | TAPPING SCREW 4X70 | 2 | PC. |
| 020 | 2 | 635111-8 | FIELD 115V | 1 | PC. |
| 021 | | 896483-8 | NAME PLATE F/PJ7000 | 1 | PC. |
| 022 | | 266492-5 | TAPPING SCREW 3X8 | 2 | PC. |
| 023 | | 643839-4 | BRUSH HOLDER 6X9 | 2 | PC. |
| 024 | | 195025-8 | CARBON BRUSH CB-458 2PC/SET | 1 | SET |
| 025 | | 650621-4 | SWITCH PS10 | 1 | PC. |
| 026 | | 687681-3 | STRAIN RELIEF | 1 | PC. |
| 027 | 2 | 265A48-7 | TAPPING SCREW 4X18 | 1 | PC. |
| 029 | | 682502-4 | CORD GUARD 8-85 | 1 | PC. |
| 030 | | 664064-4 | CORD W/PLUG 2P-18-2.5M, SJ | 1 | PC. |
| 031 | 2 | 265A48-7 | TAPPING SCREW 4X18 | 1 | PC. |
| 032 | | 450794-1 | REAR COVER | 1 | PC. |
| 033 | | 450797-5 | SWITCH LEVER | 1 | PC. |
| 034 | | 233121-5 | COMPRESSION SPRING 4 | 1 | PC. |
| 035 | | 141325-4 | MOTOR HOUSING COMPLETE | 1 | PC. |
| 035 | INC. | 890412-3 | CAUTION LABEL, FR/SP | 1 | PC. |
| 036 | | 419566-3 | SWITCH KNOB | 1 | PC. |

| Item No | Type | Part No | Description | Qty | Unit |
|---------|------|----------|-------------------------------|-----|------|
| 037 | 2 | 213960-9 | O RING 5 | 1 | PC. |
| 038 | | 256510-7 | SHOULDER PIN 4 | 1 | PC. |
| 039 | | 141327-0 | GEAR HOUSING COMPLETE | 1 | PC. |
| 039 | INC. | 263002-9 | RUBBER PIN 4 | 1 | PC. |
| 040 | | 210033-9 | BALL BEARING 696ZZ | 1 | PC. |
| 041 | | 233950-6 | RING SPRING 11 | 1 | PC. |
| 042 | | 227546-3 | * SPIRAL BEVEL GEAR 37 | 1 | PC. |
| 043 | | 962151-6 | RETAINING RING R-32 | 1 | PC. |
| 044 | | 211129-9 | BALL BEARING 6201DDW | 1 | PC. |
| 045 | | 326120-5 | SPINDLE | 1 | PC. |
| 046 | | 213561-3 | O RING 42 | 1 | PC. |
| 047 | | 318811-2 | BEARING BOX | 1 | PC. |
| 048 | | 911136-9 | PAN HEAD SCREW M4X20 | 4 | PC. |
| 049 | | 911136-9 | PAN HEAD SCREW M4X20 | 2 | PC. |
| 050 | | 931203-4 | HEX. NUT M5 | 1 | PC. |
| 051 | | 266741-0 | PAN HEAD SCREW M5X50 | 1 | PC. |
| 052 | | 453406-5 | BASE COVER | 1 | PC. |
| 053 | | 326145-9 | ROD 10 | 2 | PC. |
| 054 | | 141247-8 | FENCE COMPLETE | 1 | PC. |
| 054 | INC. | 890236-7 | SCALE PLATE | 1 | PC. |
| 055 | | 961017-7 | STOP RING E-3 | 2 | PC. |
| 056 | | 256689-4 | PIN 4 | 2 | PC. |
| 057 | | 318813-8 | BASE | 1 | PC. |
| 058 | | 231282-5 | COMPRESSION SPRING 2.4 | 1 | PC. |
| 059 | | 216001-0 | STEEL BALL 3.5 | 1 | PC. |
| 060 | | 318814-6 | STOPPER | 1 | PC. |
| 061 | | 266264-8 | H.S.SET SCREW(FLAT POINT)M5X6 | 2 | PC. |
| 062 | | 266738-9 | +PAN HEAD SCREW M4 | 1 | PC. |
| 063 | | 213008-7 | O RING 22.4 | 1 | PC. |
| 064 | | 415252-4 | DUST NOZZLE | 1 | PC. |
| 065 | | 265785-7 | THUMB SCREW M5X10 | 1 | PC. |
| 066 | | 232131-9 | LEAF SPRING | 1 | PC. |
| 067 | | 213023-1 | O RING 4 | 1 | PC. |
| 068 | | 266737-1 | FLAT HEAD SQ. NECK BOLT M6X20 | 1 | PC. |
| 069 | | 231282-5 | COMPRESSION SPRING 2.4 | 1 | PC. |
| 070 | | 216001-0 | STEEL BALL 3.5 | 1 | PC. |
| 071 | | 231795-6 | TENSION SPRING 8 | 2 | PC. |
| 072 | | 272263-0 | LEVER 40 | 1 | PC. |
| 073 | | 252159-1 | HEX. NUT M6 | 1 | PC. |

| Item No | Type | Part No | Description | Qty | Unit |
|---------|--------|----------|---|-----|------|
| 074 | | 961014-3 | STOP RING E-8 | 1 | PC. |
| 075 | | 253804-1 | FLAT WASHER 6 | 1 | PC. |
| 078 | | 318845-5 | BLADE COVER | 1 | PC. |
| 079 | | 424479-5 | RUBBER SPIKE | 2 | PC. |
| 080 | | 213023-1 | O RING 4 | 1 | PC. |
| A01 | | 123148-2 | ANGLE GUIDE ASSEMBLY (See Parts breakdown 123148-2) | 1 | PC. |
| A01 | INC. | 271616-0 | THUMB 20 | 1 | PC. |
| A01 | INC. | 961017-7 | STOP RING E-3 | 2 | PC. |
| A01 | INC. | 253186-1 | FLAT WASHER 7 | 1 | PC. |
| A01 | INC. | 961014-3 | STOP RING E-8 | 1 | PC. |
| A01 | INC. | 252159-1 | HEX. NUT M6 | 1 | PC. |
| A01 | INC. | 272263-0 | LEVER 40 | 1 | PC. |
| A01 | INC. | 253804-1 | FLAT WASHER 6 | 1 | PC. |
| A01 | INC. | 141245-2 | ANGLE GUIDE COMPLETE (N/A as individually) | 1 | PC. |
| A01 | INC. | 317049-6 | CLAMP | 1 | PC. |
| A01 | INC. | 266736-3 | HEX BOLT M6X20 | 1 | PC. |
| A01 | INC. | 226217-9 | SPUR GEAR 16 | 1 | PC. |
| A01 | 2 INC. | 232278-9 | LEAF SPRING | 1 | PC. |
| A02 | | 123150-5 | DUST BAG ASSEMBLY | 1 | PC. |
| A02 | INC. | 410602-8 | FASTENER | 1 | PC. |
| A03 | | 415579-2 | SET PLATE 4 | 1 | PC. |
| A04 | | A-95118 | 4" C.T. CUTTER BLADE 6 T, 22MM | 1 | PC. |
| A05 | | 782401-1 | LOCK NUT WRENCH 20 | 1 | PC. |
| A06 | | 821509-7 | PLASTIC CARRYING CASE | 1 | PC. |
| A06 | INC. | 163455-1 | LATCH | 2 | PC. |
| A07 | | 224280-6 | INNER FLANGE 40 | 1 | PC. |
| A08 | | 224505-8 | LOCK NUT 10-40 | 1 | PC. |
| A09 | | ----- | PLATE JOINER BISCUITS | | |
| C01 | | 872686-8 | CARTON F/PJ7000 | 1 | PC. |
| D01 | | 652044-2 | +BIND SCREW M3.5X5.0 | 2 | PC. |
| D03 | | 654593-5 | SPLICE | 2 | PC. |

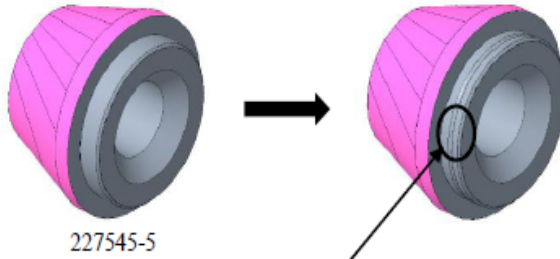
SERVICE CHANGES: PJ7000

1. Changes on Spiral Bevel Gear 10 and Spiral Bevel Gear 37 (T/I#DJ258)

| Item No. | Description | Type 1 | Type 2 |
|----------|---------------------|----------|----------|
| 8 | SPIRAL BEVEL GEAR10 | 227545-5 | 227545-5 |
| 42 | SPIRAL BEVEL GEAR37 | 227546-3 | 227546-3 |

Above parts are completely interchangeable as a set.

[1] Spiral bevel gear 10

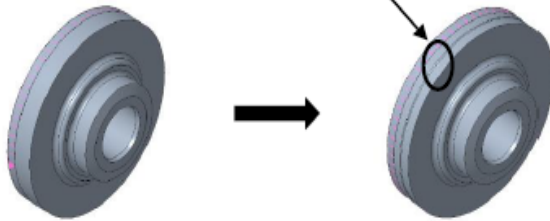


227545-5



Addition: Groove for distinction

[2] Spiral bevel gear 37



227546-3

